

Z1217 COUPLING TYPE SYSTEM – WALL URINAL/SERVICE SINK

INTRO
 ROOF DRAINS
 FLOOR DRAINS
 T, P, BW VALVES
 INTERCEPTORS
 CARRIERS
 HYDRANTS
 CLEANOUTS
 WHA
 SS DRAINS
 FAB SS DRAINS
 SANI-FLOOR
 TECH INFO



ENGINEERING SPECIFICATION

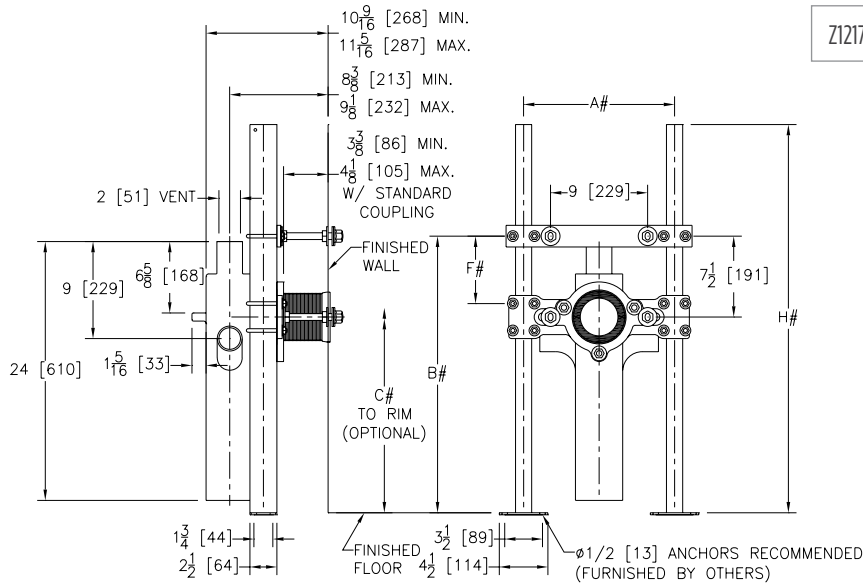
Zurn Z1217 service sink support system with fitting. Complete with Dura-Coated rectangular steel uprights with welded feet, adjustable face plate and upper support plate, Z1208 fitting with 2" vent, corrosion-resistant adjustable ABS coupling with internal test cap, fixture bolts, trim and bonded "Neo-Seal" gasket.

NOTES

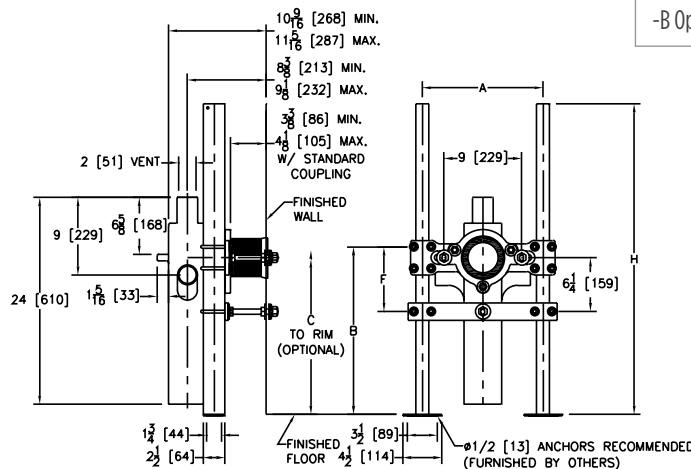
Dimensional data for letter dimensions depends on fixture type and manufacturer. See Zurn Carrier/Fixture Rough-In information at www.zurn.com for specific rough-in dimensions.

Product Number	Outlet inch [mm]	Approximate Weight lb [kg]
Z1217	4 [102]	63 [29]

PREFIXES	DESCRIPTION	VENT SIZE	LIST PRICE
Z1217*	D.C.C.I. No-Hub System with "ZZ" Coupling	2"	1,432.00
SUFFIXES			ADD
-B	Blow-Out Type Fixture Support		N/C
-CC	Corrosion Resistant 6" Long Cast Iron Coupling		N/C
-CL	Custom length greater than 6" - Per Inch (Specify Length)		61.00
-F4	Z1208 Fitting with 4" Vent		N/C
-F32	3" Z1208 Fitting with 4" Vent		N/C
-VP	Vandal-Proof Trim		132.00
-WS	Wall Support Valve Plate (Specify Valve Name and Number)		151.00
BEST SELLERS			LIST PRICE
Z1217-B			1,432.00
Z1217-B-F32			1,432.00
Z1217-F2			1,432.00



REFER TO ROUGH-IN GUIDE OF SPECIFIC FIXTURE FOR DIMENSION



-B Option Shown

*Regularly furnished unless otherwise specified.

For additional product information, please visit www.zurn.com

Items designated as Best Sellers are most specified and are generally in stock for shipment.

Ⓞ This symbol denotes a product that is engineered to reduce installation and rework time.

For Additional System Tools See "Z1200 Carrier Tools and Accessories" on page 214